



Model number

WCS3B-LS246D

Read head, RS-485 interface, with RS-485 termination resistor

Features

- RS-485 interface
- Non-contact, absolute position encoder
- Automatic detection of dirt accumulation
- Integrated display module

Accessories

WCS3B-PL2

Transparent protective case and seal for WCS3B reader

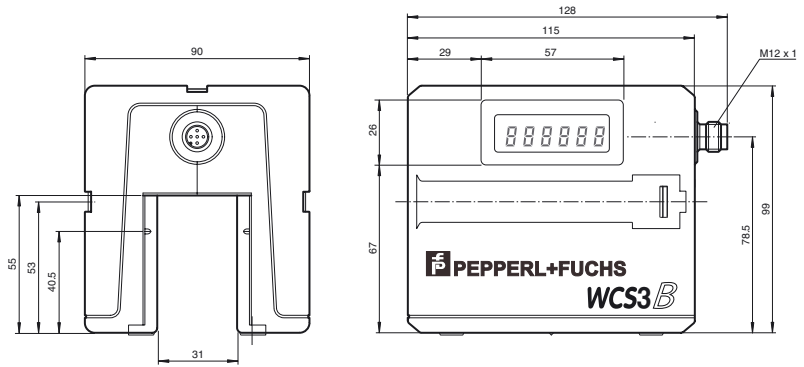
WCS-MP1

Mounting plate for reading heads WCS2 and WCS3

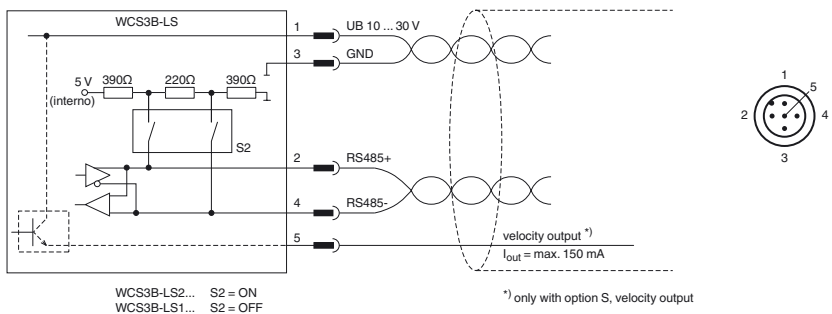
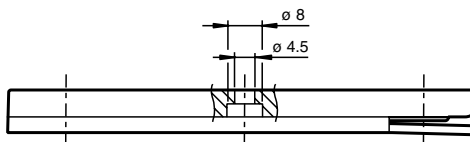
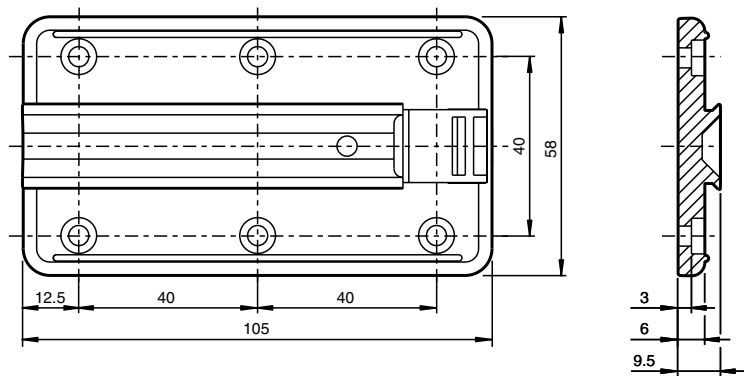
Note

with RS-485 interface

Dimensions



Mounting plate



Technical data

General specifications

Passage speed	v	≤ 12.5 m/s
Measuring range		max. 314.5 m
Free tolerances to code rail		horizontal: 31 mm (± 15.5 mm) vertical: 28 mm (± 14 mm)
Resolution		± 0.4 mm (1,250 positions/m)

Release date: 2019-08-21 14:14 Date of issue: 2019-08-21 199290-0018_eng.xml

Functional safety related parameters	
MTTF _d	198 a
Mission Time (T _M)	20 a
Diagnostic Coverage (DC)	0 %
Indicators/operating means	
Operation indicator	LED green: power on
Data flow indicator	LED yellow: data communication active
Error indicator	LED red flashing: read head outside of code rail solid on: internal diagnostic test failed
Display	Display module, 6-digit , adaptable to installation position
Electrical specifications	
Operating voltage	U _B 10 ... 30 V DC
Power consumption	P ₀ 2 VA
Interface	
Interface type	RS 485 interface
Data output code	binary code
Protocol	3 , with Parity (9 Bit/Byte)
Transfer rate	19.2 kBit/s
Address	0
Termination	with RS 485 termination
Standard conformity	
Emitted interference	DIN EN 61000-6-4 , DIN EN 12015
Noise immunity	DIN EN 61000-6-2 , DIN EN 12016
Shock resistance	DIN EN 60068-2-27, half sine 30 g, 18 ms
Vibration resistance	DIN EN 60068-2-6, sine, 5 g, 10 - 2000 Hz, 10 cycles
Ambient conditions	
Operating temperature	0 ... 60 °C (32 ... 140 °F)
Storage temperature	-40 ... 85 °C (-40 ... 185 °F)
Relative humidity	90 % , noncondensing
Mechanical specifications	
Connection type	5-pin, M12 x 1 connector
Degree of protection	IP54
Material	
Housing	ABS , PC (Polycarbonate)
Mass	500 g
General information	
Ordering information	Mounting plate included with delivery